



GFB MACH 2 TRMS TR9135a

INSTRUCTION MANUAL



Go Fast Bits
2 Norman St
Peakhurst NSW 2210
Australia



Ph: +61 (0)2 9534 0099
Fax: +61 (0)2 9534 3999
Email: sales@gfb.com.au
Web: www.gfb.com.au

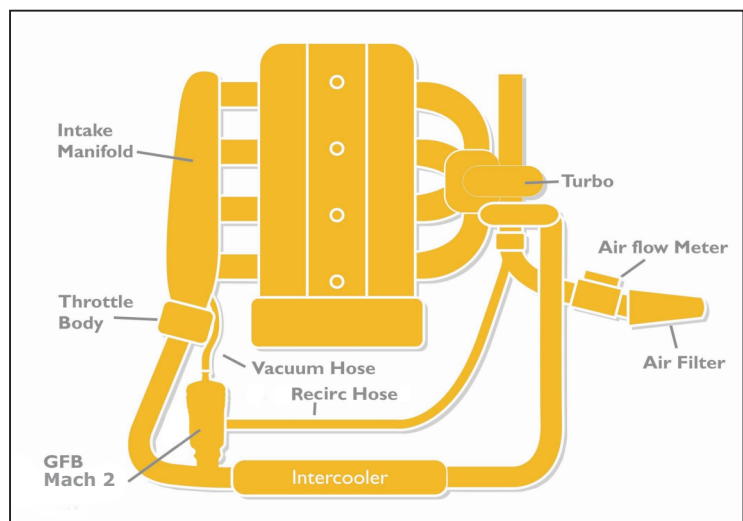
MACH 2 INSTALLATION

The standard base of the GFB Mach 2 T9135 can be mounted in two ways; either as a push fit inside 32-35mm (1.25" – 1.375") internal diameter hose secured with a hose clamp, or by mounting onto a 25.4mm (1") outside diameter metal pipe. The supplied recirc outlet is 30mm. For different mounting options, a list of the adaptors available is found at the end of these instructions, but if in doubt, check out the adaptors page on our website www.gofastbits.com.au, or consult your local dealer.

T9035 is suitable for custom installations, and is also a direct factory replacement for:

- Subaru WRX/STi MY97-98
- Nissan 300ZX Z32 (2 valves required)
- Nissan Silvia/200SX S13 (SR20DET)
- Nissan Pulsar GTi-R N14

For custom installations or cars without a factory fitted valve, a location for the Mach 2 must be found on the piping between the turbo outlet and the throttle body, and a suitable adaptor must be welded in that location.



- 1) Pipe mounting - Once a suitable 25.4mm (1") O.D. metal pipe has been welded to the turbo piping, insert the supplied o-ring into the internal groove in the base of your Mach 2, and partially thread the grub screws into the tapped holes. Smear a little oil or grease on the o-ring, and slide the valve onto the pipe. Make sure that the pipe passes fully through the o-ring and bottoms out in the valve base, and then lock the valve in place firmly with the grub screws. Thread the supplied nuts onto the ends of the grub screws and tighten – this is to prevent the grub screws working loose.
- 2) Hose mounting – Push the base of the Mach 2 into the hose, and secure with a hose clamp. Ensure the clamp is seated on the straight section of the hose fitting, and not on the retaining bead.
- 3) If your car has a recirc hose, plug it with the supplied plug and secure with a hose clamp.
- 4) Connect the vacuum nipple on the top of the Mach 2 to a suitable manifold vacuum source (after the throttle body), using rubber or silicone vacuum hose of at least 4mm I.D. Try to avoid attaching any other hoses and t-pieces to the vacuum hose and keep it as short as possible, as this will ensure rapid response from your GFB valve. **DO NOT CONNECT THE VACUUM HOSE TO BOOST CONTROL, FUEL PRESSURE REGULATOR OR BRAKE BOOSTER HOSES.**
- 5) If necessary, the cap can be rotated so the vacuum nipple points in a different direction. Simply unscrew the 4 cap screws and rotate the cap to a new position (there are screw holes every 45 degrees) and reinstall the screws.

ADJUSTING THE SPRING PRELOAD

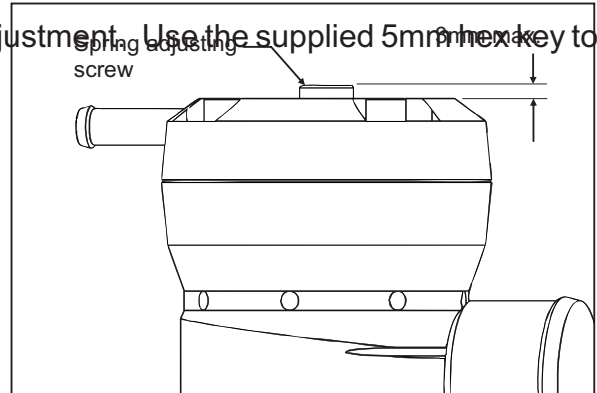
PLEASE NOTE!

Contrary to popular belief, the spring pre-load **DOES NOT need to be adjusted for different boost pressures**. The Mach 2 will stay shut under full throttle conditions *regardless of boost pressure* or spring pre-load.

Rather, the spring pre-load affects how easily the valve opens when you lift the throttle, and how long it stays open when it vents.

The screw in the centre of the head is the spring adjustment. Use the supplied 5mm hex key to make adjustments. The softest spring setting is achieved when the adjustment screw is 3mm above the head of the valve as shown to the right. Do not set the screw more than 3mm above the head.

With an atmosphere-venting BOV on a car with an airflow meter, the spring pre-load needs to be adjusted correctly to prevent stalling or backfiring.



To set the spring pre-load:

- Set the spring to the softest setting.
- Start the car and let it warm up until the engine idles at normal RPM. Make sure the A/C is off.
- Give the engine a good hard rev - stab the throttle hard and fast, then release it quickly. The valve should blow off briefly, then close before the revs drop back down to idle.
- If the valve blows off for too long and is still open when the revs drop back to idle, the engine will “stumble” or stall. If this happens, turn the adjustment screw in the “+” direction one full turn at a time until the engine returns smoothly to idle after revving.
- For the final fine-tune, take the car for a drive. Accelerate moderately to about 3000RPM and then lift off the accelerator and clutch in, letting the engine drop to idle. If the revs dip below idle and then rise again, tighten the spring another 1-2 turns.
- If a loud flutter is heard when lifting off sharply after accelerating hard above 3500RPM, turn the adjustment screw in the “-” direction one turn at a time until the noise disappears.

Note that it is not uncommon to hear a slight fluttering at low RPM under certain conditions. This is a result of the different way in which this valve operates compared to the factory unit (so it can vent to atmosphere), and is not detrimental to the turbo.

Do not be afraid to experiment with the spring pre-load adjustment, you can't cause any damage by doing so, and getting the setting right to suit your car can help to optimise throttle response.

Use the QR code to the right to see a video example of setting up the spring pre-load, or use the address below:

<http://www.gfb.com.au/downloads/gfb-tv?video=KgGRfR6jt-c>



ALTERNATIVE ADAPTORS AVAILABLE

Base (inlet) adaptors:

5320 – 20mm hose base
5325 – 25mm hose base
5330 – 30mm hose base
5333 – 33mm hose
5338 – 38mm (1.5") pipe mount base
5350 – HKS style mounting flange

Recirc (outlet) adaptors:

5220 – 20mm
5225 – 25mm
5230 – 30mm
5233 – 33mm
5238 – 38mm

CONVERTING TO RECIRC VENTING

If you want to change your Mach 2 to 100% recirculating, simply purchase and fit the appropriate sized recirc outlet (see options above) and fit it in place of the trumpet. Remove the hose plug from the recirc hose and connect it to the Mach 2 outlet.

MAINTENANCE

GFB blow-off valves are designed to be as maintenance-free as possible. In most cars the small amount of crankcase and rocker-cover oil vapor that is directed into the intake system is enough to keep the piston well lubricated indefinitely.

However, if you notice the sound of the valve changing over time (e.g. slow response time, intermittent operation), or if you can see that the piston is not moving smoothly, it may require a clean and re-lube.

Cleaning Procedure: Remove the four screws holding on the cap, taking care as the spring will try to push the cap off as the last screw is removed. Remove the spring and the brass piston, and wipe any grime from the inside of the valve and the piston with a rag. Apply normal engine oil to the piston and the inside of the bore, and re-assemble.

This product is intended for racing use only, and it is the owner's responsibility to be aware of the legalities of fitting this product in his or her state/territory regarding noise, emissions and vehicle modifications.

GFB products are engineered for best performance, however incorrect use or modification of factory systems may cause damage to or reduce the longevity of the engine/drive-train components.

GFB recommends that only qualified motor engineers fit this product. Warranty is for the period of one year from the date of purchase and is limited only to the repair or replacement of GFB products provided they are used as intended and in accordance with all appropriate warnings and limitations. No other warranty is expressed or implied.